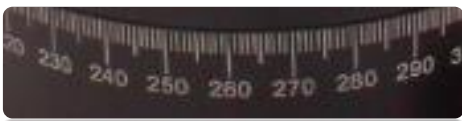




Rotation Mounting Platform

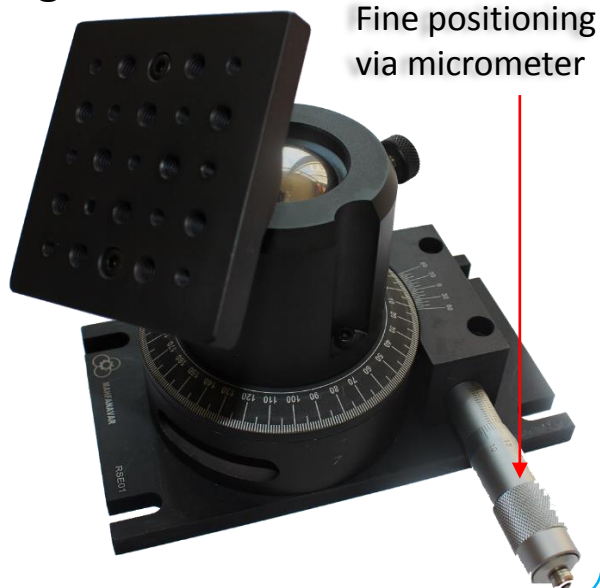
- Rapid, Lockable Angular Positioning
- Full 90° Swing of Top Platform from Horizontal to Vertical Orientation
- Top Platform Offers 25 1/4"-20 (M6 x 1.0) Mounting Holes
- Full 360° Rotation of Entire Swivel Mechanism



The RMP100 Rotation mounting platform provides free spherical motion over a complete hemisphere. This aluminum stage rotates $\pm 90^\circ$ and 360° in a precision bored bushing. Rotation can be locked to prevent accidental adjustment by a thumb screw on the side of the stage. Applications include flexible inspection systems (video or optical microscope), target positioning, and detection systems.

Fine Rotation Mounting Platform

- Fine, Lockable Angular Positioning
- Full 90° Swing of Top Platform from Horizontal to Vertical Orientation
- Top Platform Offers 25 1/4"-20 (M6 x 1.0) Mounting Holes
- Full 360° Rotation of Entire Swivel Mechanism



Fine positioning via micrometer

Part Number	Description
RMP100	Rotation Mounting Platform
RMP200	Fine Rotation Mounting Platform

Optomechanics

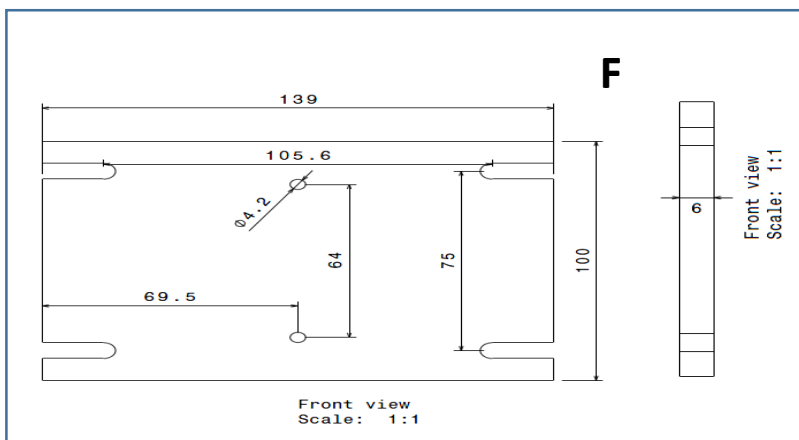
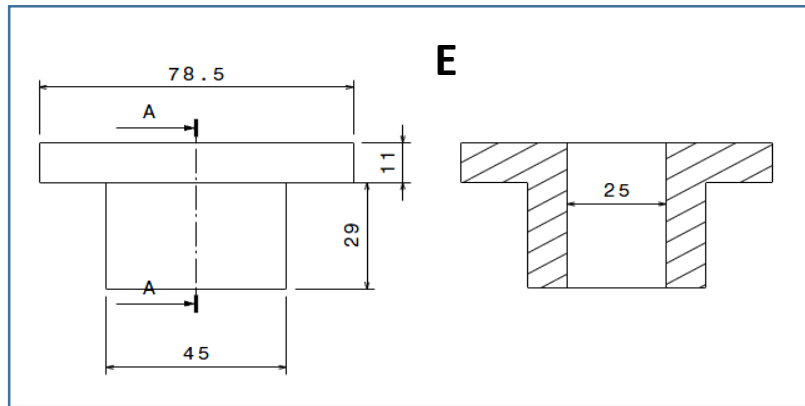
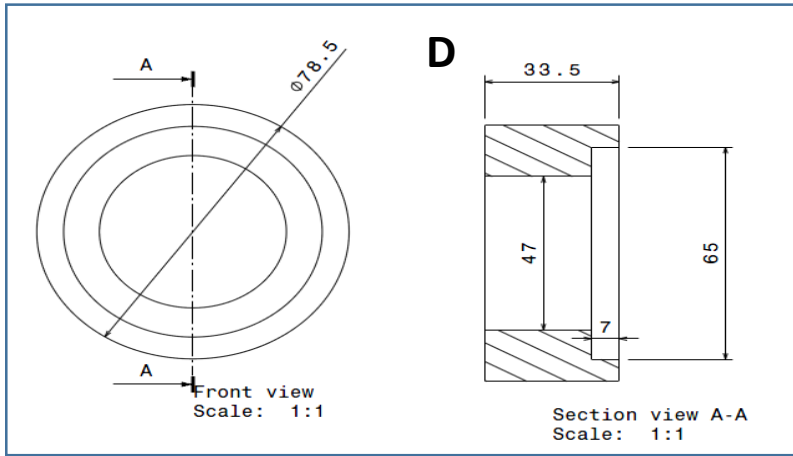
Motion Control

Light Sources

Optical Systems



Rotation Mounting Platform



Part Number	Dimensional	weight
RMP100	170*140*100 mm	1900 gr

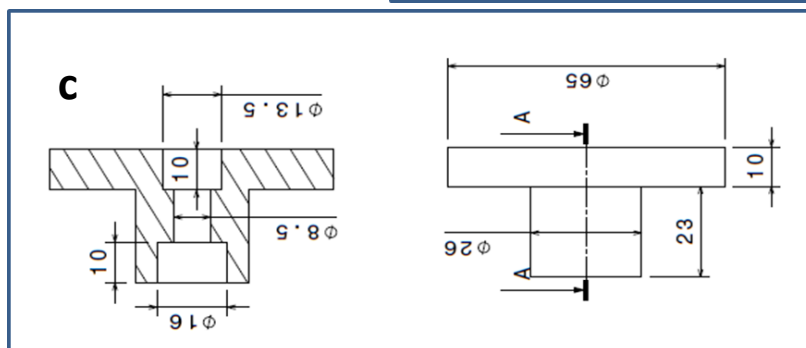
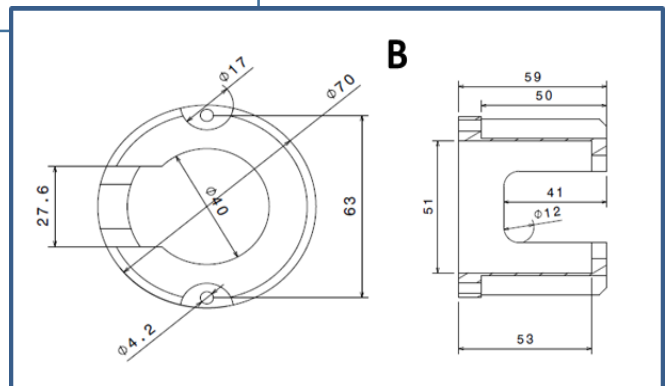
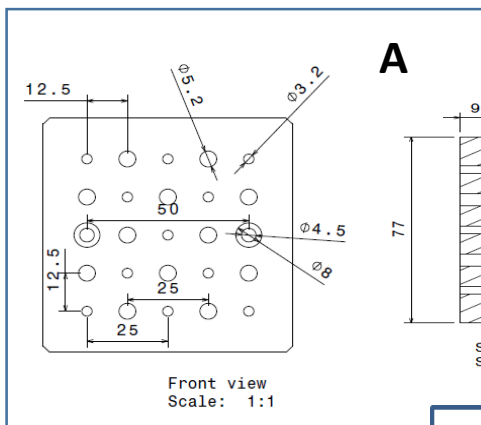
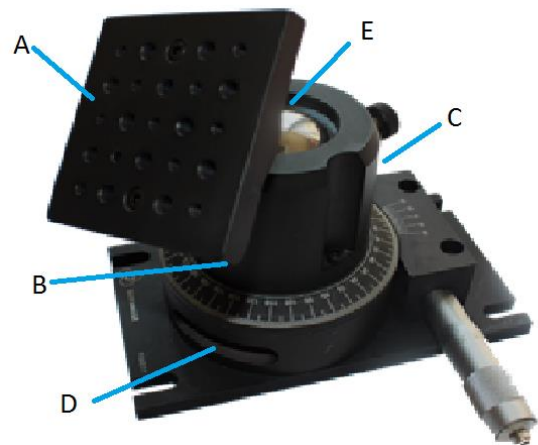
Optomechanics

Motion Control

Light Sources

Optical Systems

Fine Rotation Mounting Platform



Part Number

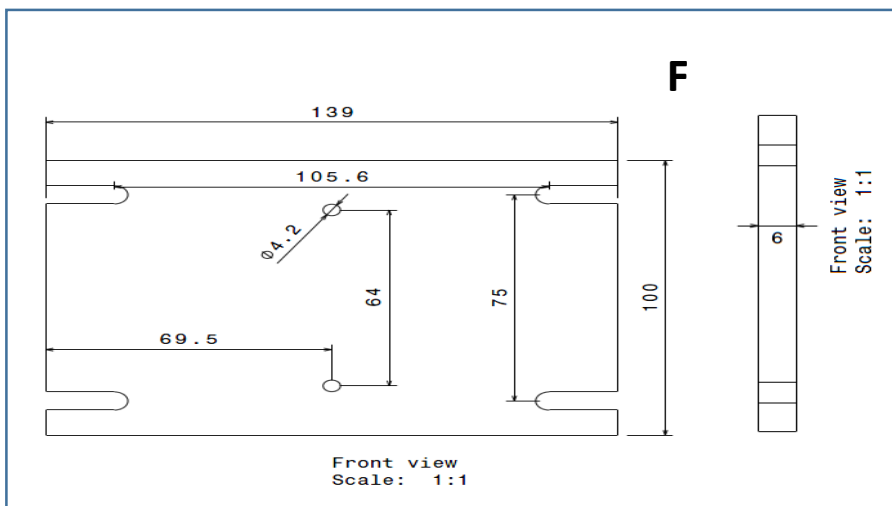
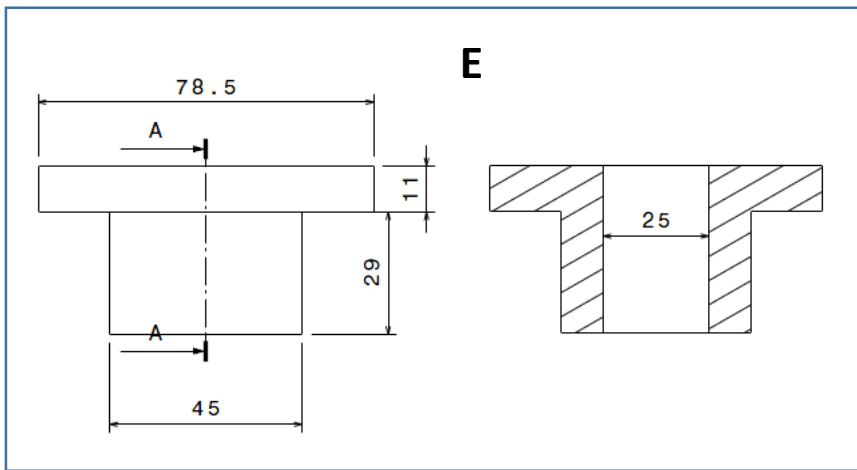
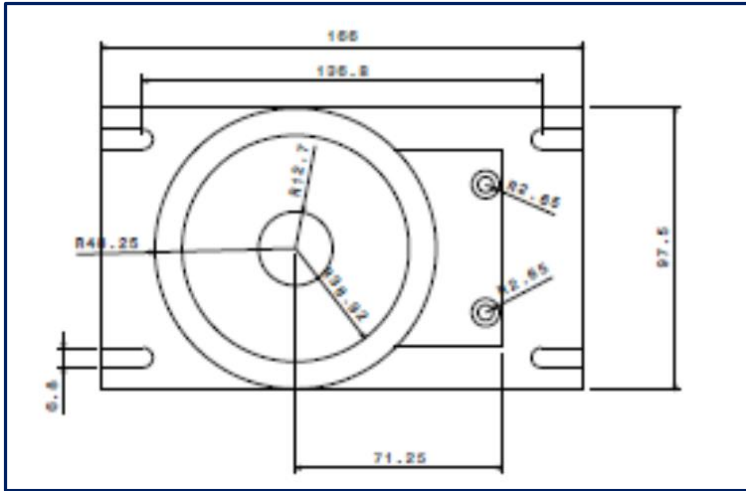
Dimensional

weight

RMP200



Fine Rotation Mounting Platform



Optomechanics

Motion Control

Light Sources

Optical Systems

Part Number

Dimensional

weight

RMP200