



Three Adjuster Kinematic Mounts

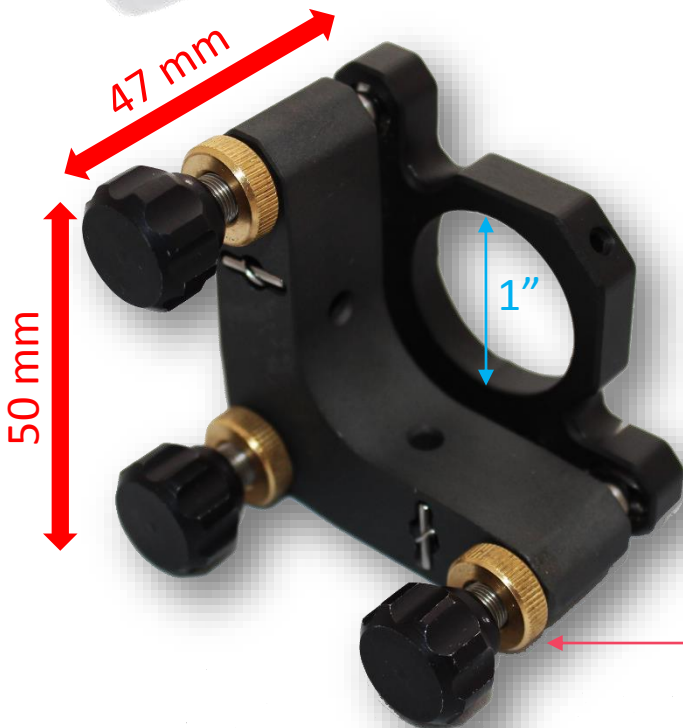
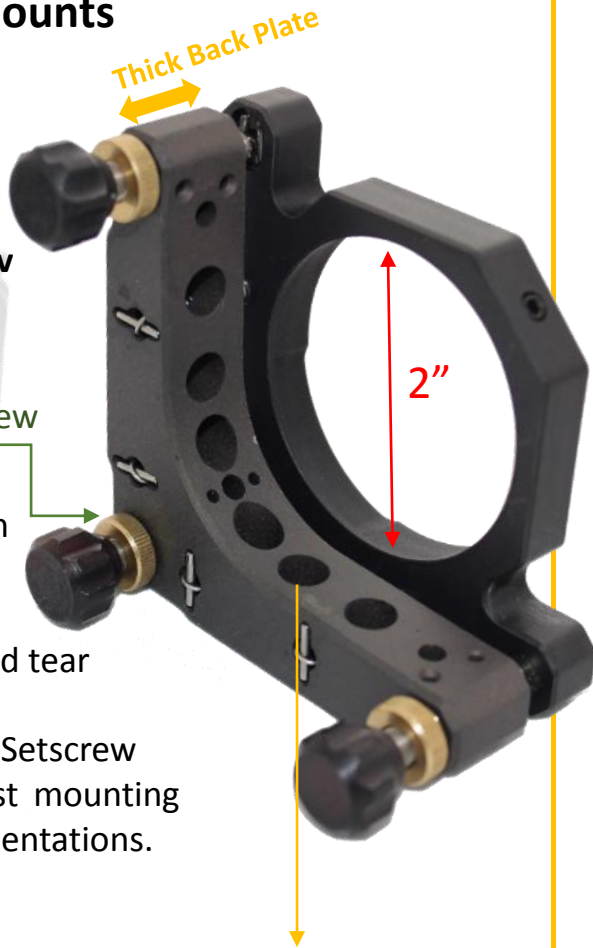
- Optics Held with a Nylon Tipped Setscrew
- Resolution: 5 m rad (0.3°) per Rev via Three Precision Adjusters
- Thick Back Plate and Heavy-Duty Springs for Stability

Capabilities:

- 3 degrees of freedom orientation

Features:

- Heavy duty spring
- Steel contacts to reduce wear and tear
- Locking screw
- Optics Held with a Nylon Tipped Setscrew
- Counterbored mounting for post mounting in either left- or right-handed orientations.



- Compact Size

Part Number	Description	Material
KOM10	3 Adjuster Kinematic Optic Mount Ø1"	Black anodized aluminum
KOM20	3 Adjuster Kinematic Optic Mount Ø2"	Black anodized aluminum

Optomechanics

Motion Control

Light Sources

Optical Systems

Optomechanics

Motion Control

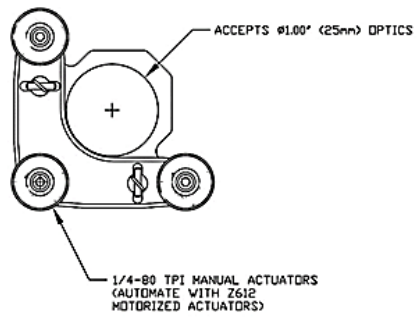
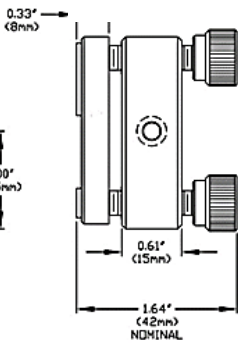
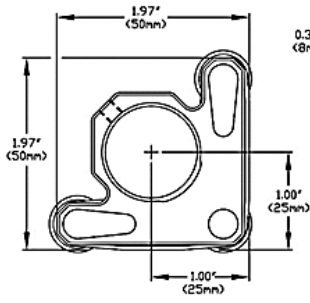
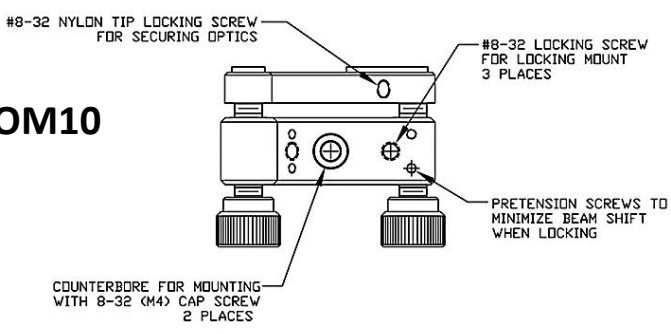
Light Sources

Optical Systems

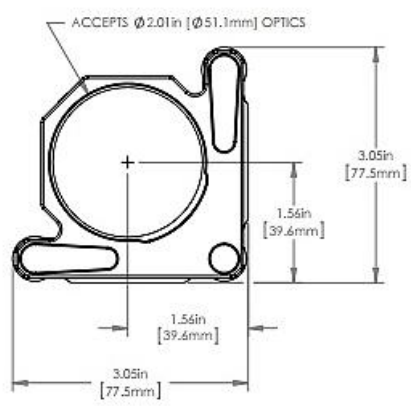
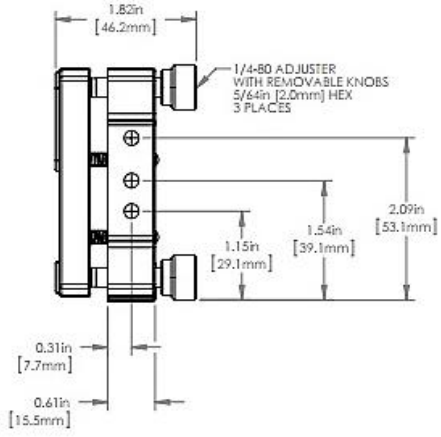
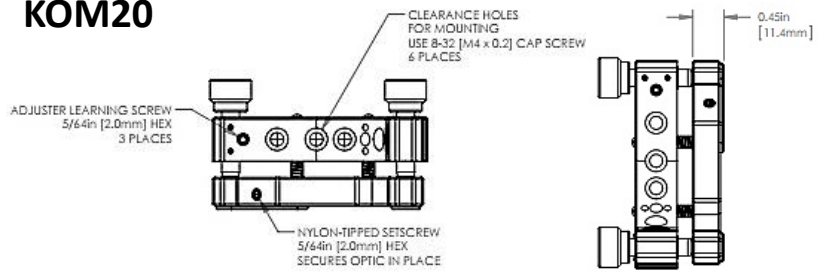
Specification of Three Adjuster Kinematic Mounts



KOM10



KOM20



Part Number	Dimensional	weight
KOM10	49*49*41.5 mm	109 gr
KOM20	75*75*49 mm	184 gr