

Optomechanics

Pedestal Post Holders

- **Anodized Aluminum Thumbscrew**
- **Available In Six Sizes**
- **Added Magnets Base Allows Holding in Place prior to Fastening**

Included with our pedestal post holders are:

1. Small footprint with added magnets for temporary positioning
2. Compatible post holders

Not included but highly recommended is the Swiveling Clamping Fork for ultra stability

Motion Control

Light Sources

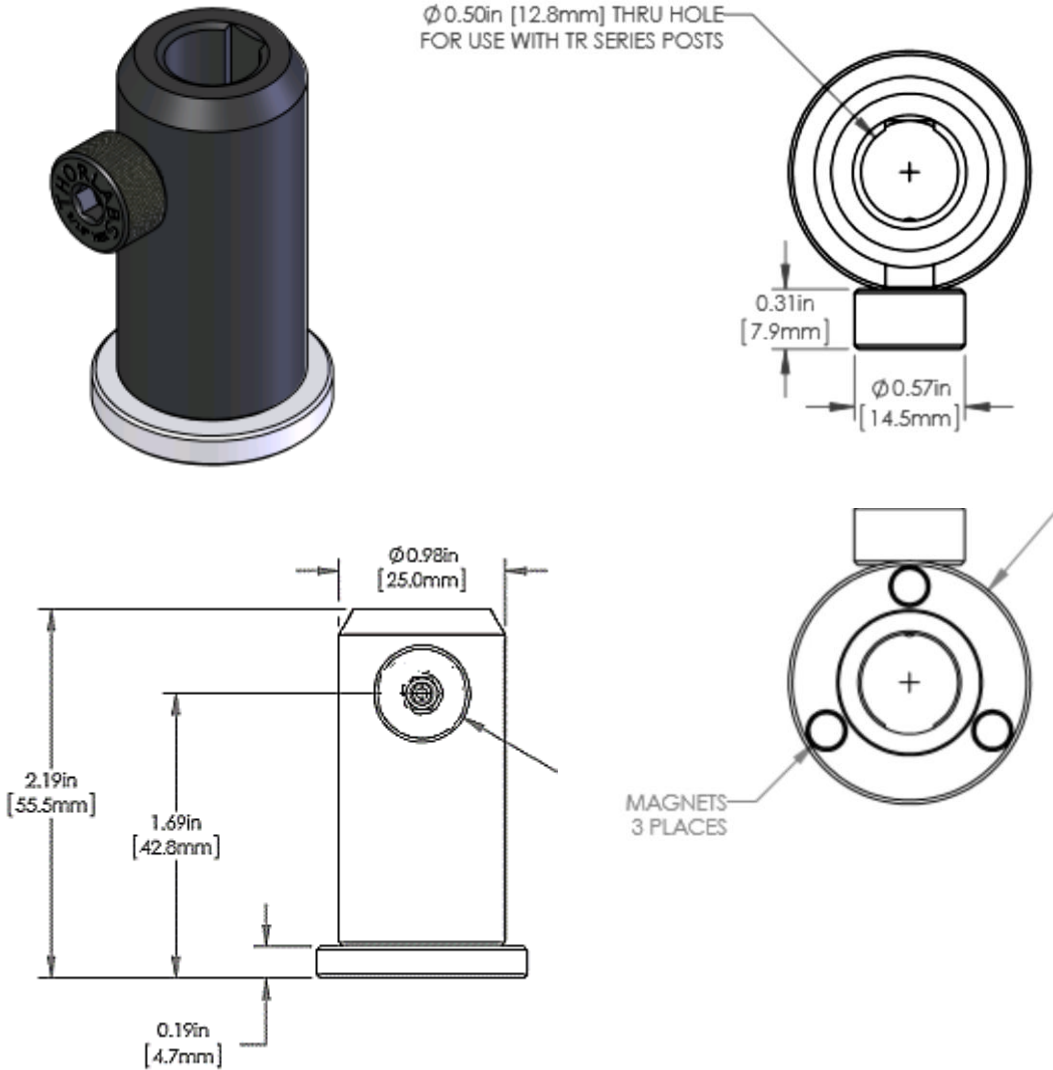
Optical Systems



Part Number	Description	Material
SPM	Pedestal Post Holders	Black anodized aluminum



Specification of Pedestal Post Holders



$\varnothing 0.50\text{in}$ [12.8mm] THRU HOLE FOR USE WITH TR SERIES POSTS

0.31in [7.9mm]
 $\varnothing 0.57\text{in}$ [14.5mm]

2.19in [55.5mm]
1.69in [42.8mm]
0.19in [4.7mm]
 $\varnothing 0.98\text{in}$ [25.0mm]

MAGNETS 3 PLACES

Part Number	Dimensional	weight
SPM10	32*32*29.7 mm	56 gr
SPM15	32*32*43 mm	67 gr
SPM20	32*32*54.7 mm	91 gr
SPM30	32*32*81 mm	98 gr
SPM40	32*32*106.5 mm	128 gr
SPM60	32*32*157.2 mm	137 gr

Optomechanics

Motion Control

Light Sources

Optical Systems