

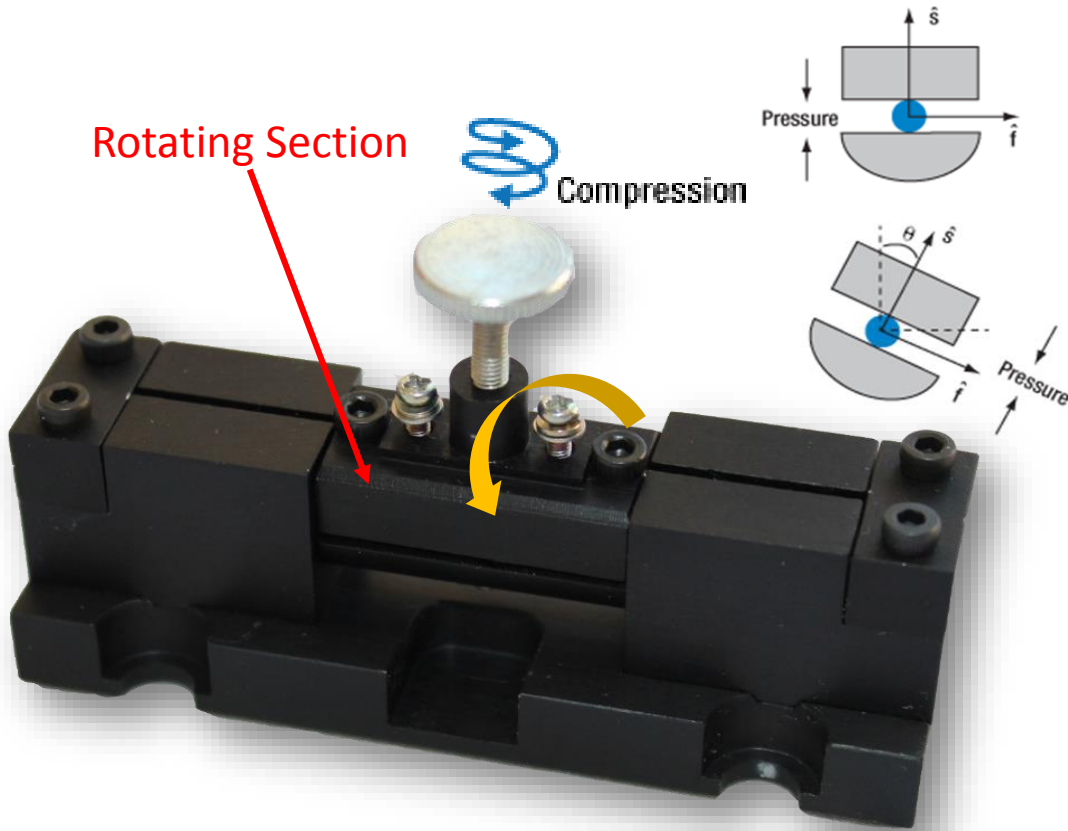


Optical Fiber Polarization Controller

- **Able to Convert An Arbitrary Input Polarization State to Any other Desired Output Polarization State**
- **Adaptable with $\varnothing 900 \mu\text{m}$ Tight Buffer Fiber**

1. Polarization of light is arbitrary
2. In order to polarize the beam of light you'll need the following:
 - I. stress point (provided by turning thumbscrew)
 - II. change the orientation of wave plate by the pendulum action of thumbscrew (side to side).

This device provides the above action in order to polarize the beam.



Part Number	Description	Material
SFPC900	Optical Fiber Polarization Controller	Black anodized aluminum



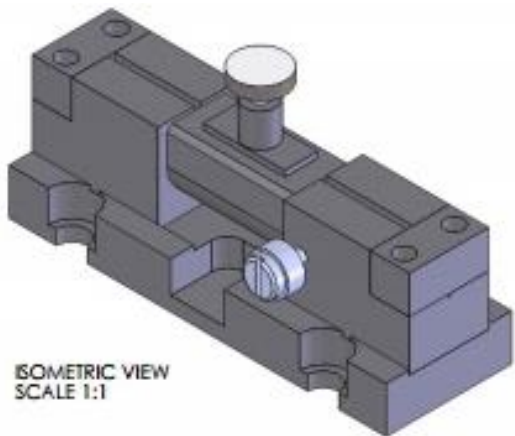
Optomechanics

Motion Control

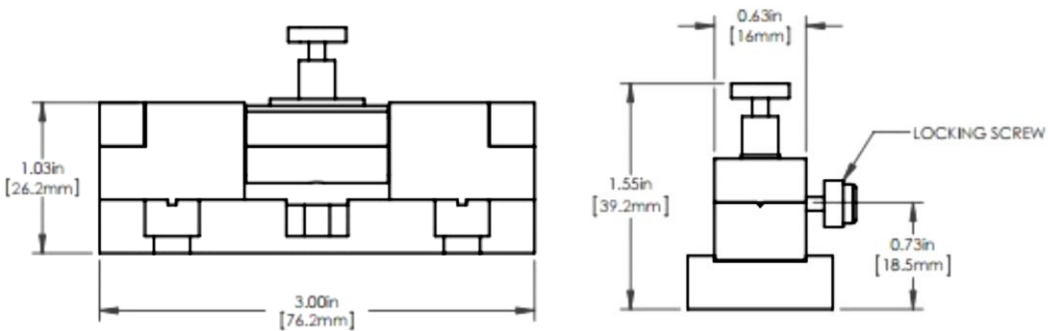
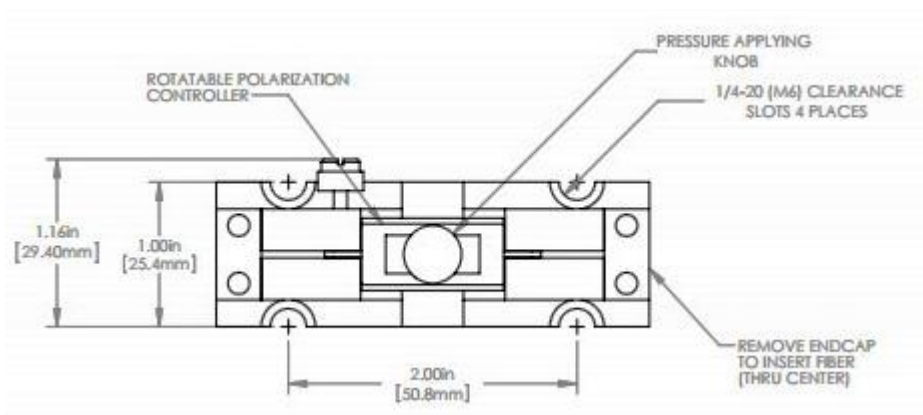
Light Sources

Optical Systems

Optical Fiber Polarization Controller



ISOMETRIC VIEW
SCALE 1:1



Part Number

Dimensional

weight

SFPC900

77*26*38 mm

88 gr