

Fixed Lens Mounts

- Included: Compatible Retaining Ring
- Fixed Mounts for Ø1" and Ø2" Optic Diameters
- 8-32 (M4) Tapped for Post Mounting

Capabilities:

Securely hold the lens and attach it to the other optomechanical components

- It can hold thin lenses

Features:

- Rings that hold lens
- M4 tapped hole
- Orientation free



Part Number	Description
FLM10	Fixed Lens Mount Ø1"
FLM20	Fixed Lens Mount Ø2"

Adjustable Diameter Mounts

Self-Centering Lens Mount

Features:

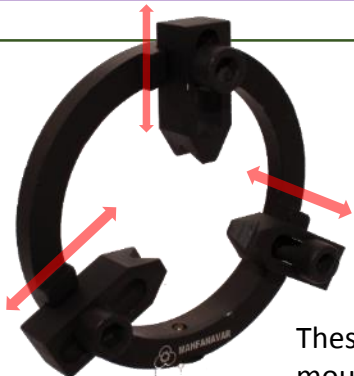
- **Self centering spring mechanism**
- **Design in 3 different sizes**

Capabilities:

Various diameter optic mounting lenses from

- Small size: from Ø0.15" (Ø3.8 mm) to Ø1.77" (Ø45 mm),
- Medium size: from Ø0.15" (Ø3.8 mm) to Ø27.55" (Ø70 mm),
- Large size: from Ø0.15" (Ø3.8 mm) to Ø1.77" (Ø45.0 mm), while maintaining optical axis





Adjustable Lens Mount

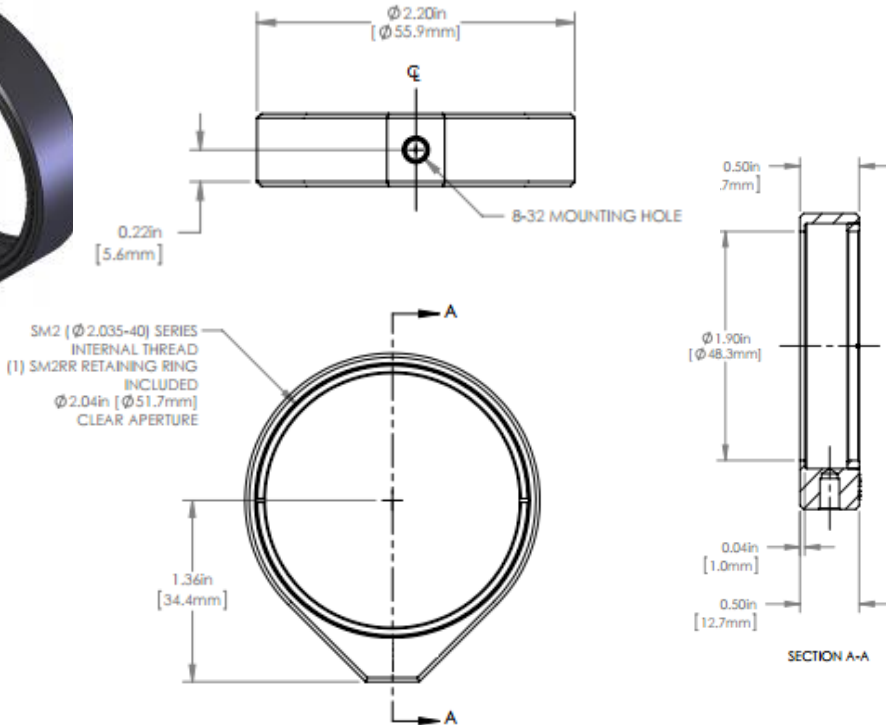
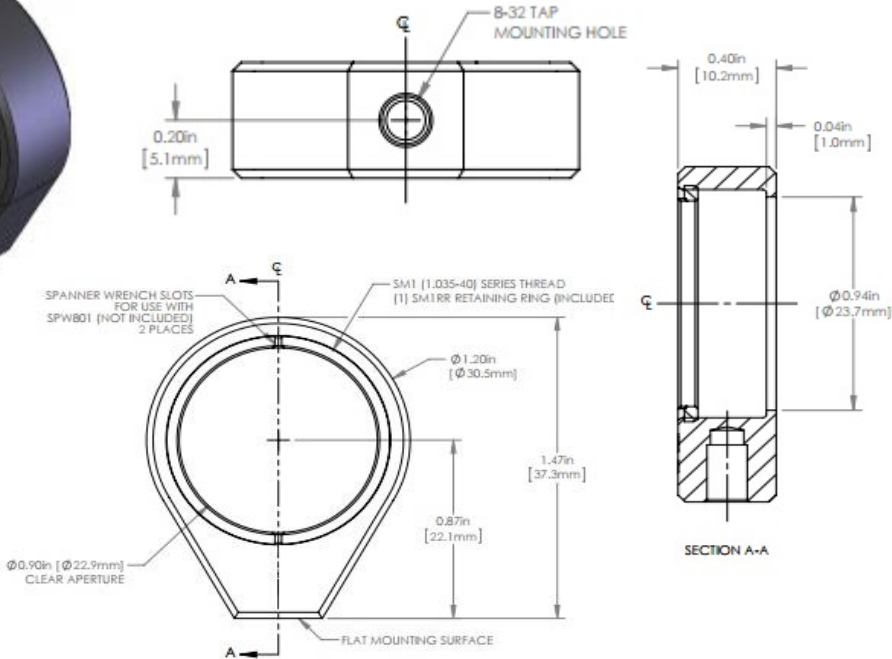
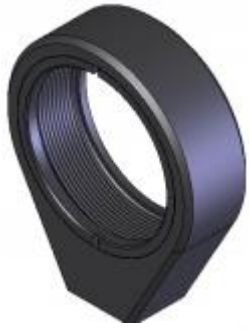
- **Variable-Diameter Optic Mounts**
- ✓ **LH1 :Ø7.1 mm to Ø45.7 mm**
- ✓ **LH2 :Ø19.6 mm to Ø57.9 mm**
- ✓ **LH-L: Ø170 mm to Ø220 mm**

These adjustable lens mounts are ideal for general-purpose mounting of non-standard optic sizes

Part Number	Description	Lens Size
MSCL-S	Small Self Centering Lens Mount	Ø0.15" (Ø3.8 mm) to Ø1.77" (Ø45.0 mm)
MSCL-M	Medium Self Centering Lens Mount	Ø0.15" (Ø3.8 mm) to Ø27.55" (Ø70 mm)
MSCL-L	Large Self Centering Lens Mount	
LH1	Adjustable Lens Mount	Ø0.28" (Ø7.1 mm) to Ø1.80" (Ø45.7 mm)
LH2	Adjustable Lens Mount	Ø0.77" (Ø19.6 mm) to Ø2.28" (Ø57.9 mm)
LH-L	Adjustable Lens Mount	Ø66.9" (Ø170mm) to Ø86.61" (Ø220 mm)



Specification of Fixed Lens Mounts



Part Number	Dimensional	weight
FLM 10	30.5*37.2*10.5 mm	10 gr
FLM20	56*62.5*13 mm	20 gr

Optomechanics

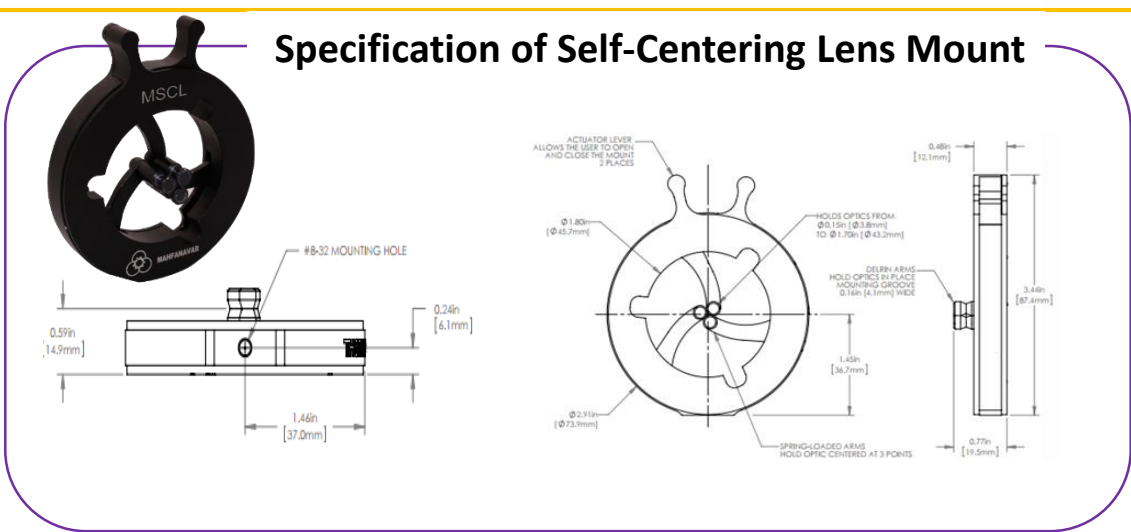
Motion Control

Light Sources

Optical Systems

Optomechanics

Specification of Self-Centering Lens Mount



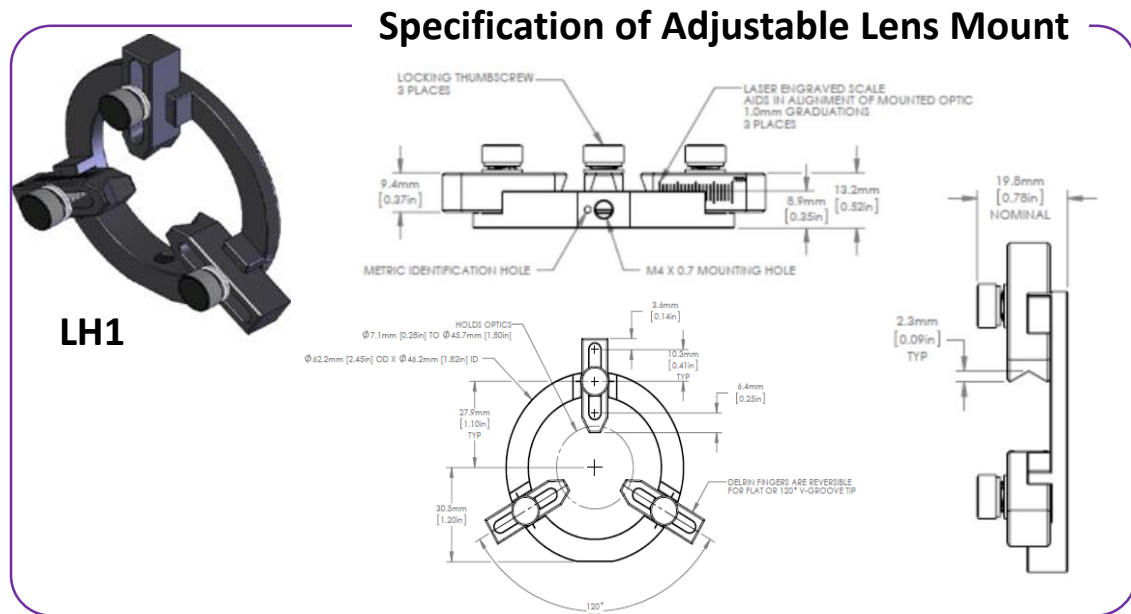
The image shows the MSCL (Mahfanavar Self-Centering Lens Mount) and its technical specifications. It includes a perspective view of the black plastic mount with three actuator levers. The technical drawings provide the following details:

- ACTUATOR LEVER:** ALLOWS THE USER TO OPEN AND CLOSE THE MOUNT 3 PLACES.
- HOLDS OPTICS FROM:** $\varnothing 0.15in$ ($\varnothing 3.8mm$) TO $\varnothing 1.70in$ ($\varnothing 43.2mm$)
- DELPHI ARMS:** HOLD OPTICS IN PLACE MOUNTING GROOVE 0.16in (4.1mm) WIDE
- SPRING-LOADED ARMS:** HOLD OPTIC CENTERED AT 3 POINTS
- Dimensions:**
 - Overall diameter: $\varnothing 1.80in$ ($\varnothing 45.7mm$)
 - Mounting hole diameter: $\varnothing 0.231in$ ($\varnothing 5.9mm$)
 - Mounting hole diameter: #8-32
 - Mounting hole offset: 0.59in (14.9mm)
 - Mounting hole diameter: 0.24in (6.1mm)
 - Mounting hole offset: 1.46in (37.0mm)
 - Mounting hole diameter: 0.48in (12.1mm)
 - Mounting hole diameter: 0.77in (19.5mm)
 - Mounting hole diameter: 3.44in (87.4mm)
 - Mounting hole diameter: 1.45in (36.7mm)

Motion Control

Specification of Adjustable Lens Mount

LH1



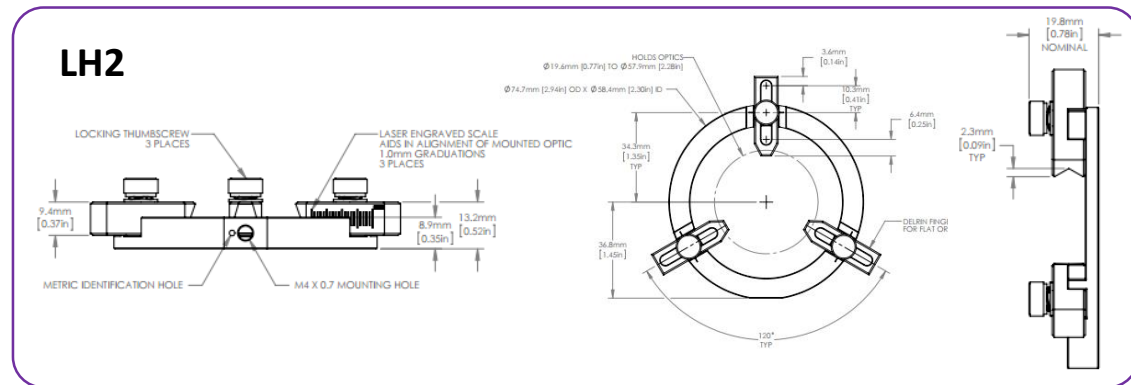
The image shows the LH1 (Mahfanavar Locking Adjustable Lens Mount) and its technical specifications. It includes a perspective view of the black plastic mount with three locking thumbscrews and a laser engraved scale. The technical drawings provide the following details:

- LOCKING THUMBSCREW:** 3 PLACES
- LASER ENGRAVED SCALE:** AIDS IN ALIGNMENT OF MOUNTED OPTIC 1.0mm GRADUATIONS 3 PLACES
- METRIC IDENTIFICATION HOLE**
- M4 X 0.7 MOUNTING HOLE**
- HOLDS OPTIC:** $\varnothing 7.1mm$ (0.28in) TO $\varnothing 45.7mm$ (1.80in)
- DELPHI FRIGES:** ARE REVERSIBLE FOR FLAT OR 120° V-GROOVE TIP
- Dimensions:**
 - Mounting hole offset: 9.4mm (0.37in)
 - Mounting hole diameter: 13.2mm (0.52in)
 - Mounting hole diameter: 8.9mm (0.35in)
 - Mounting hole diameter: 19.8mm (0.78in) NOMINAL
 - Mounting hole diameter: 2.3mm (0.09in) TYP
 - Mounting hole diameter: 3.6mm (0.14in)
 - Mounting hole diameter: 10.3mm (0.41in)
 - Mounting hole diameter: 6.4mm (0.25in)
 - Mounting hole diameter: 30.5mm (1.20in) TYP
 - Mounting hole diameter: 27.5mm (1.10in) TYP
 - Mounting hole diameter: $\varnothing 42.2mm$ (2.45in) OD x $\varnothing 46.2mm$ (1.82in) ID
 - Mounting hole diameter: 120° TYP

Light Sources

Specification of Adjustable Lens Mount

LH2



The image shows the LH2 (Mahfanavar Locking Adjustable Lens Mount) and its technical specifications. It includes a perspective view of the black plastic mount with three locking thumbscrews and a laser engraved scale. The technical drawings provide the following details:

- LOCKING THUMBSCREW:** 3 PLACES
- LASER ENGRAVED SCALE:** AIDS IN ALIGNMENT OF MOUNTED OPTIC 1.0mm GRADUATIONS 3 PLACES
- METRIC IDENTIFICATION HOLE**
- M4 X 0.7 MOUNTING HOLE**
- HOLDS OPTIC:** $\varnothing 19.6mm$ (0.77in) TO $\varnothing 57.9mm$ (2.28in)
- DELPHI FRIGES:** FOR FLAT OR 120° V-GROOVE TIP
- Dimensions:**
 - Mounting hole offset: 9.4mm (0.37in)
 - Mounting hole diameter: 13.2mm (0.52in)
 - Mounting hole diameter: 8.9mm (0.35in)
 - Mounting hole diameter: 19.8mm (0.78in) NOMINAL
 - Mounting hole diameter: 2.3mm (0.09in) TYP
 - Mounting hole diameter: 3.6mm (0.14in)
 - Mounting hole diameter: 10.3mm (0.41in)
 - Mounting hole diameter: 6.4mm (0.25in)
 - Mounting hole diameter: 34.3mm (1.35in) TYP
 - Mounting hole diameter: 36.8mm (1.45in) TYP
 - Mounting hole diameter: 120° TYP
 - Mounting hole diameter: $\varnothing 74.7mm$ (2.94in) OD x $\varnothing 58.4mm$ (2.30in) ID

Optical Systems

Part Number	Dimension	Weight
MSCL-S	74*89*12.5mm	86 gr
MSCL-M		
MSCL-L		
LH1	62*62*18 mm	36 gr
LH2	75.2*75.2*18 mm	47 gr
LH-L	280*280*40 mm	1236 gr