



## Kinematic Platform Mounts

- Orient Horizontally or Vertically
- Designed for Use with Clamping Arms
- Resolution: 5 m rad (0.3°) per Rev via Two Precision Adjusters



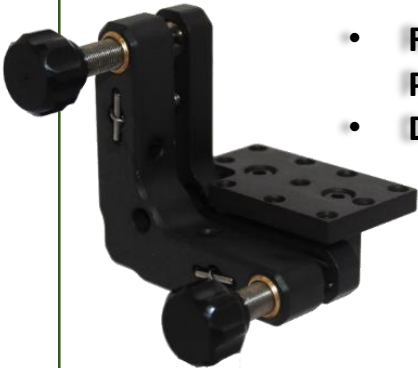
Optomechanics

Motion Control

The KPMSS100 and KPMS100 included a prism platform and a clamping arm as a prism mounting hardware. This mount is designed to integrate many prisms, cube beam splitters and corner cubes into any optical system. This model mount can be used for aligning components that require tilt adjustment.

## Kinematic Prism Mount

- Resolution: 8 m rad per Rev via Two Precision Adjusters
- Designed for Use with Clamping Arms



Adjustable arms



- Adjustable Clamping Arm Capable of Mounting Optics up to 100 mm Tall
- Rubber Pads Increase Contact Area with Optic

Light Sources

Optical Systems

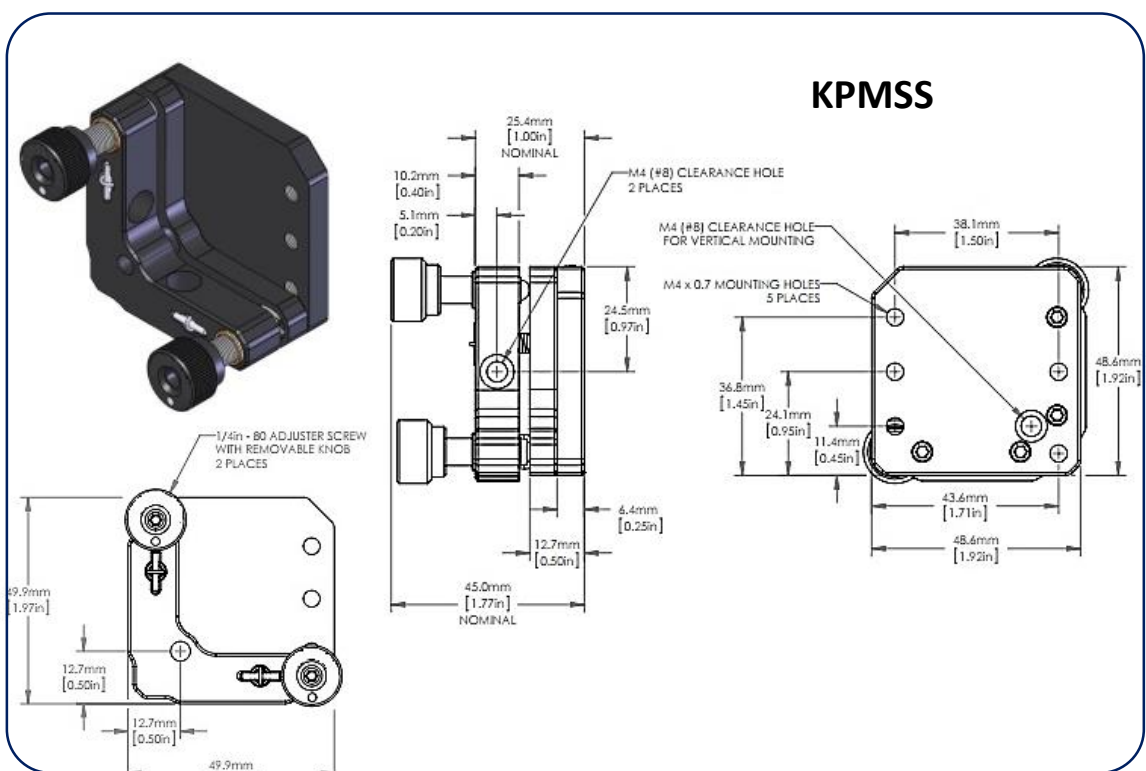
Part Number	Description	Material
KPMS	Kinematic Platform Mount	Black anodized aluminum
KPMSS	Small Kinematic Platform Mount	Black anodized aluminum
KPM100	Kinematic Prism Mount	Black anodized aluminum
KOM100	Kinematic Prism Mount with adjustable high	Black anodized aluminum

Optomechanics

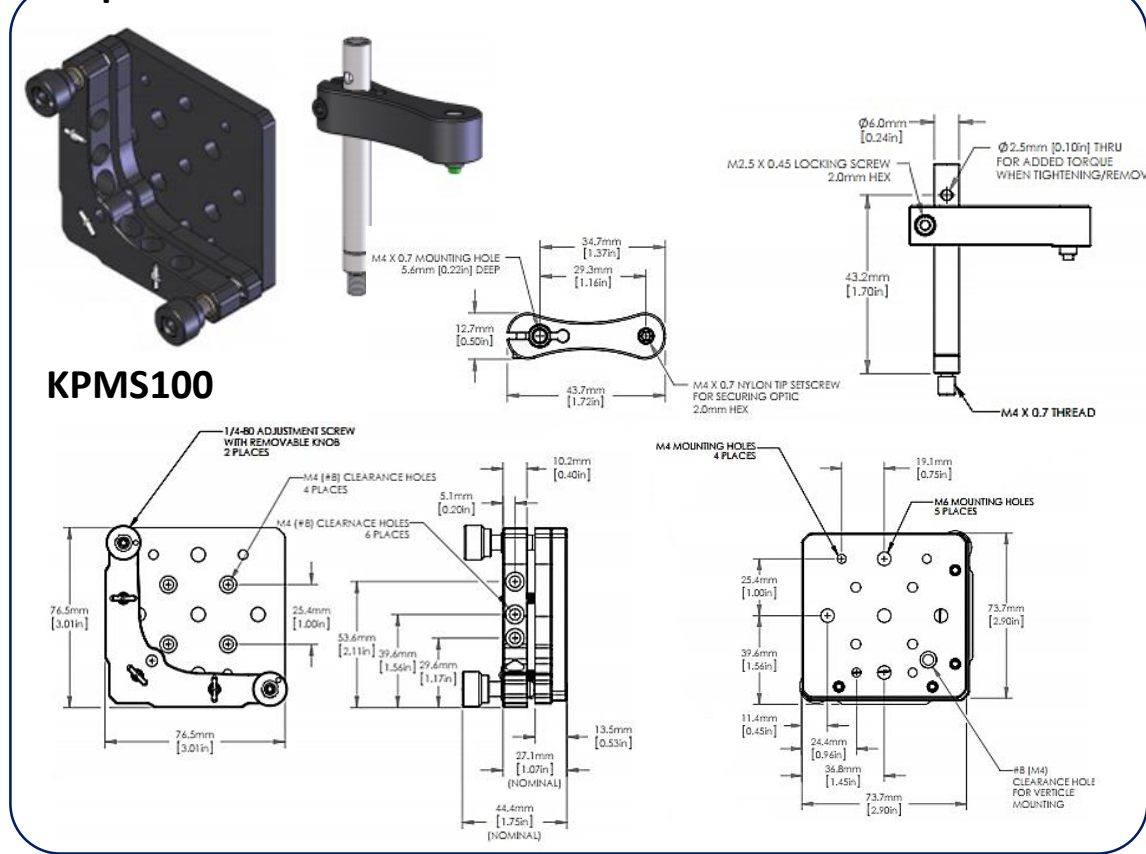
Motion Control

Light Sources

Optical Systems



**Specification of Kinematic Platform Mounts**

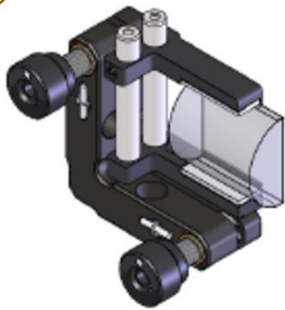
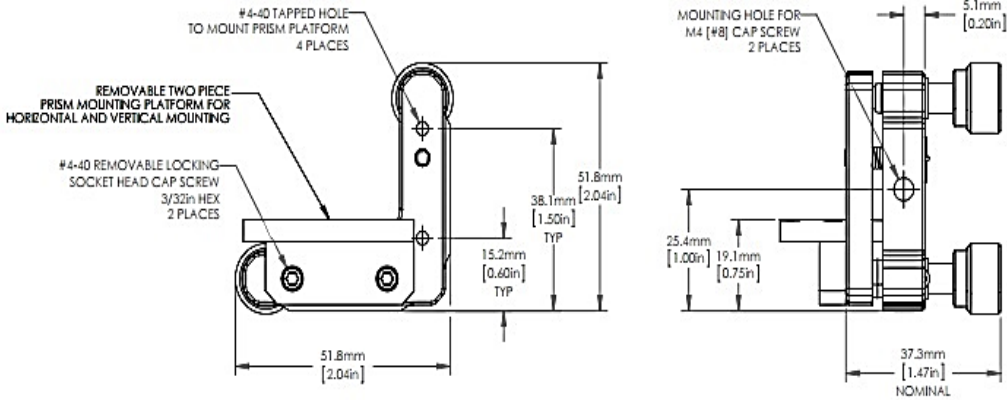
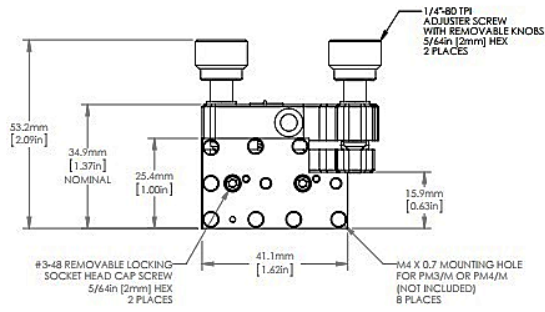


Part Number	Dimensional	weight
KPMSS	49*49*41.5 mm	111gr
KPMSS 100	73.5*73.5*110 mm	210 gr

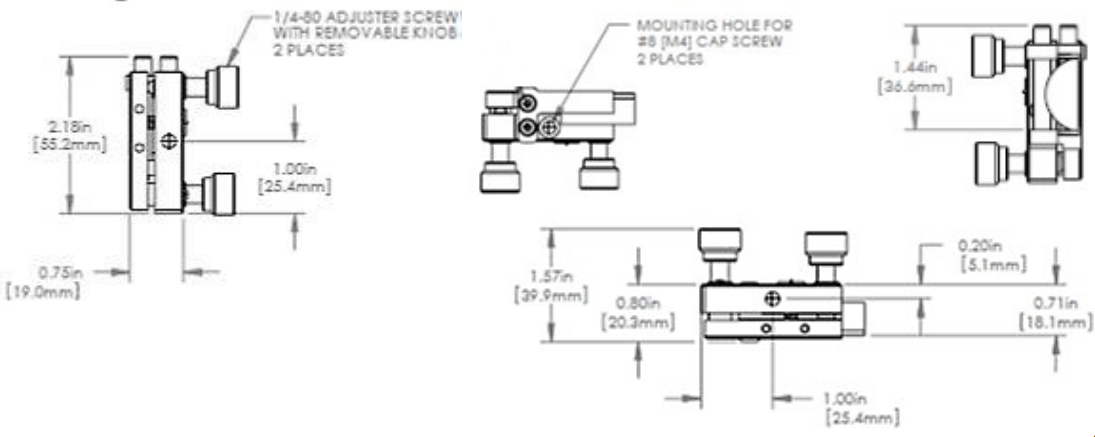
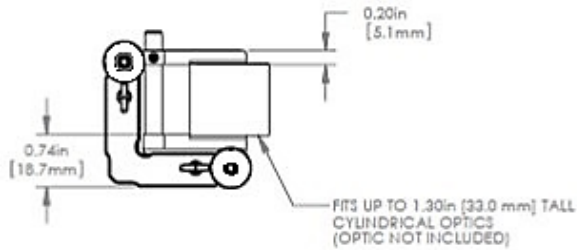


## Specification of Kinematic Prism Mounts

### KPM100



### KOM100



Part Number	Dimensional	weight
KPM100	65.8*49*49 mm	105 gr
KOM100	40*50*125.5 mm	120 gr

Optomechanics

Motion Control

Light Sources

Optical Systems