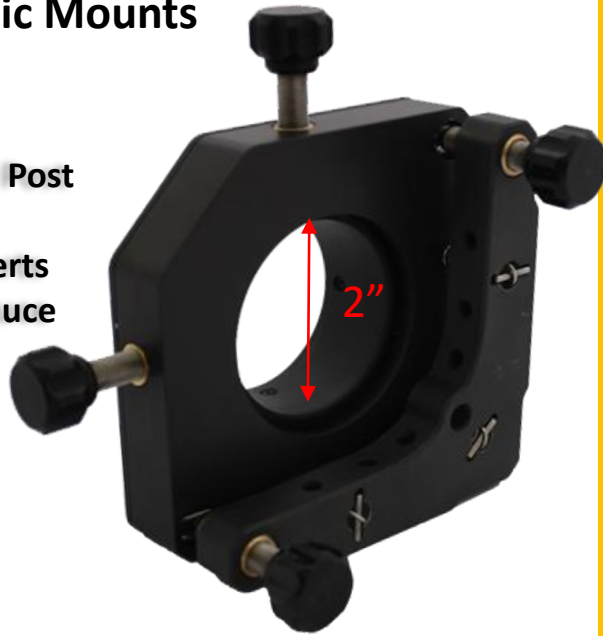




4- and 5-Adjuster Kinematic Mounts

- 4-Axis adjustment
- Six #8 (M4) Counterbores for Post Mounting
- Hardened Stainless Steel Inserts at Kinematic Contacts To Reduce Wear



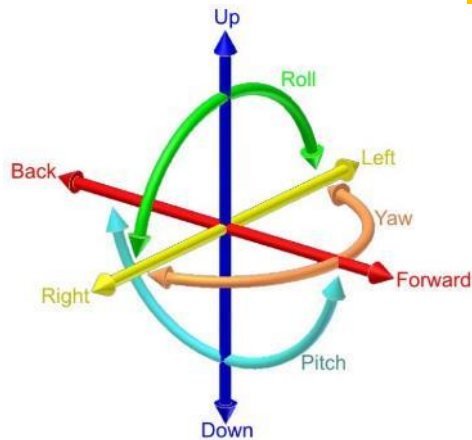
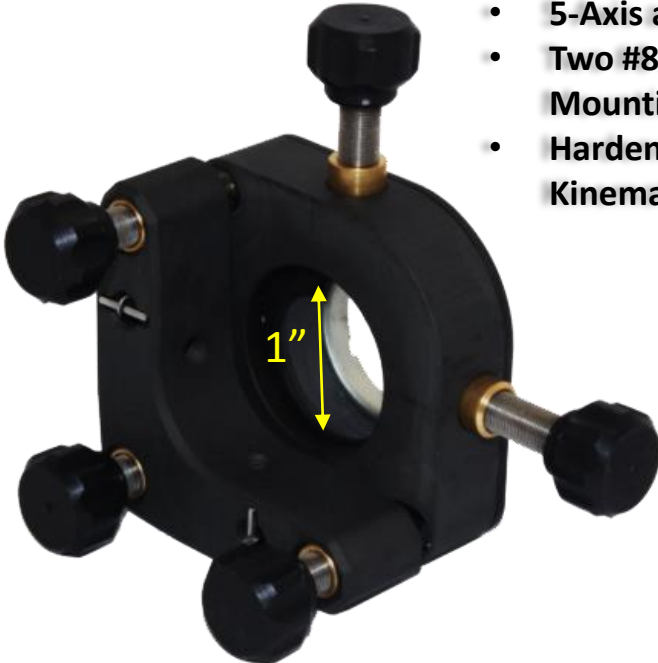
Capabilities:

- More freedom adjustability
- Fine tune positioning of lenses in z and x axis

Features:

- 5-Axis adjustable mount in compact size

- 5-Axis adjustment
- Two #8 (M4) Counterbores for Post Mounting
- Hardened Stainless Steel Inserts at Kinematic Contacts To Reduce Wear



Part Number	Description	Material
4AK2	4 Adjuster Kinematic Optic Mount $\varnothing 2''$	Black anodized aluminum
5AK1	5 Adjuster Kinematic Optic Mount $\varnothing 1''$	Black anodized aluminum

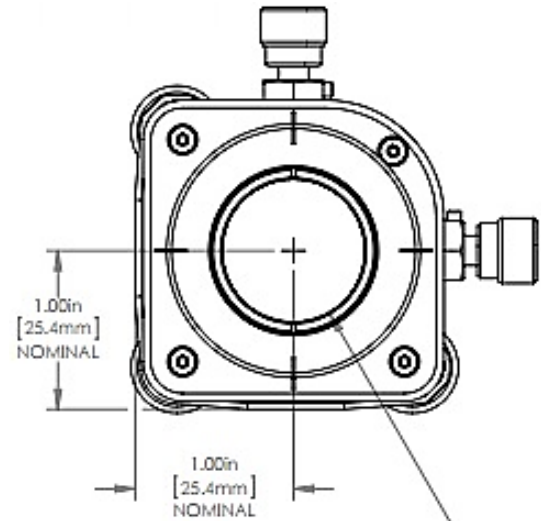
Optomechanics

Motion Control

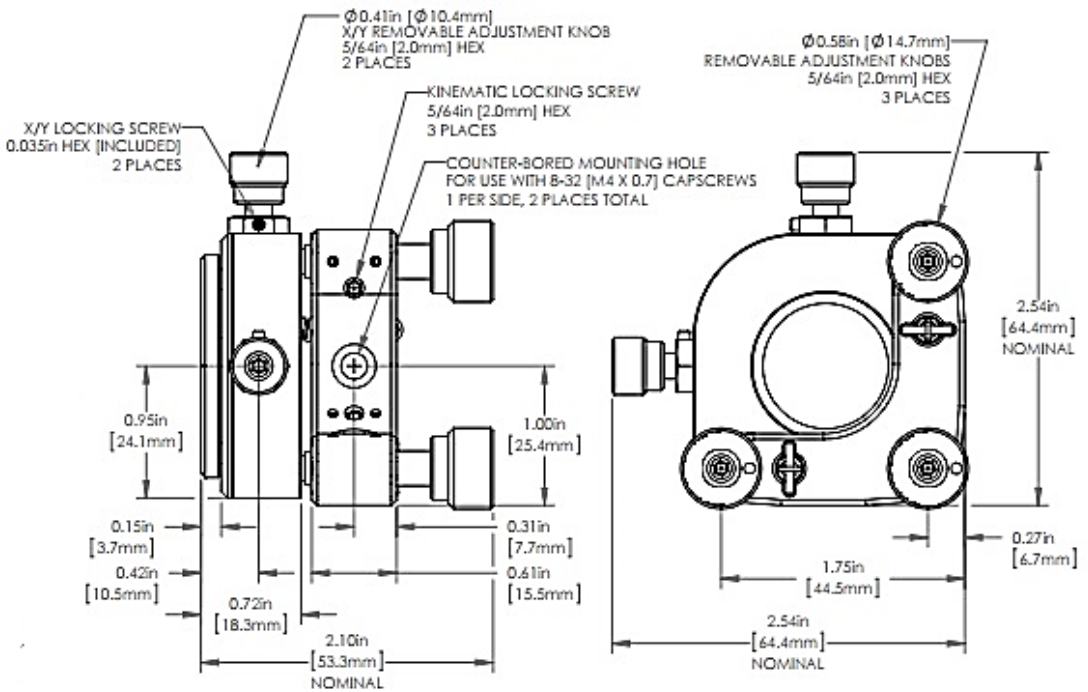
Light Sources

Optical Systems

5-Adjuster Kinematic Mounts



SM1 (Ø 1.035in-40) SERIES LENS CARRIAGE
ACCEPTS Ø 1.00in [Ø 25.4mm] OPTICS
UP TO 0.38in [9.5mm] THICK
SMIRR RETAINING RING (INCLUDED)
Ø 0.90in [Ø 22.9mm] CLEAR APERTURE



Part Number	Dimensional	weight
5AK1	75*77*55 mm	158 gr
4AK2		